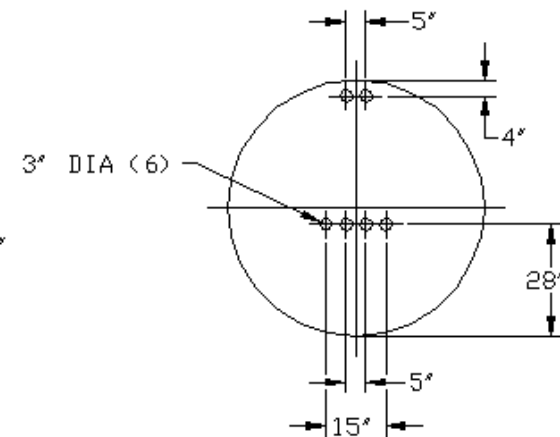
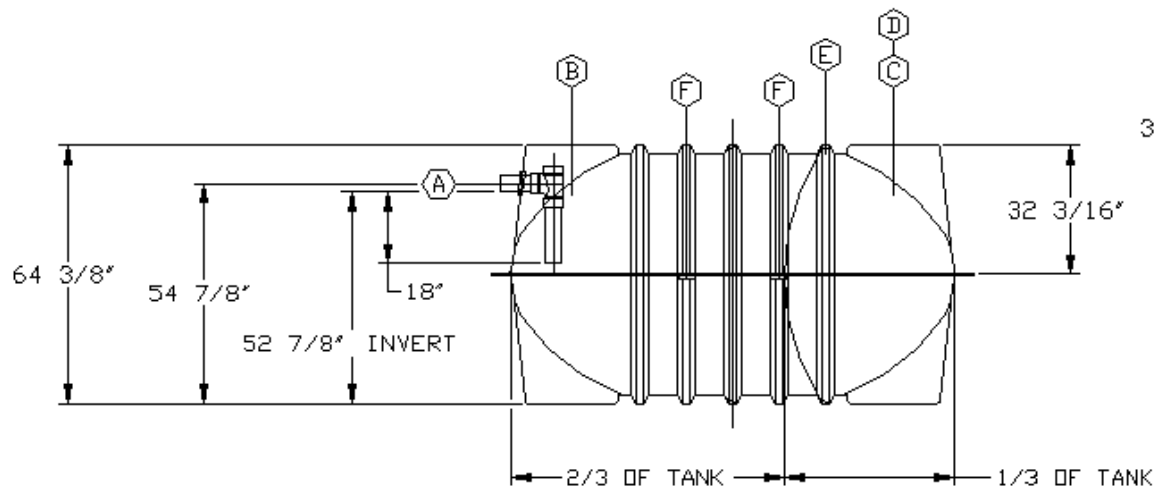


NOTE:

1 - 23" O. D. ADAPTER SURFACES ACCEPT STANDARD 24" I. D. FRP OR PVC RISERS.



OPTIONAL BAFFLE DETAIL

(A)	4" DIA SCH 40 PVC INLET PIPE WITH INTERNAL SANITARY TEE & PIPES
(B)	OPTIONAL 24" DIA OPENING OR 4" INLET ACCESS TO GRADE
(C)	20" I. D. OPENING WITH INTERNAL FLANGE
(D)	23" O. D. x 2" HIGH RISER ADAPTER SURFACE
(E)	OPTIONAL BAFFLE WALL
(F)	LIFTING LUG (2 ON EACH SIDE OF TANK, 4 LUGS TOTAL)

**XERXES**<sup>®</sup>  
CORPORATION

TITLE	
RST-11 1000	
DATE	DR. NO
2-02	S10-946