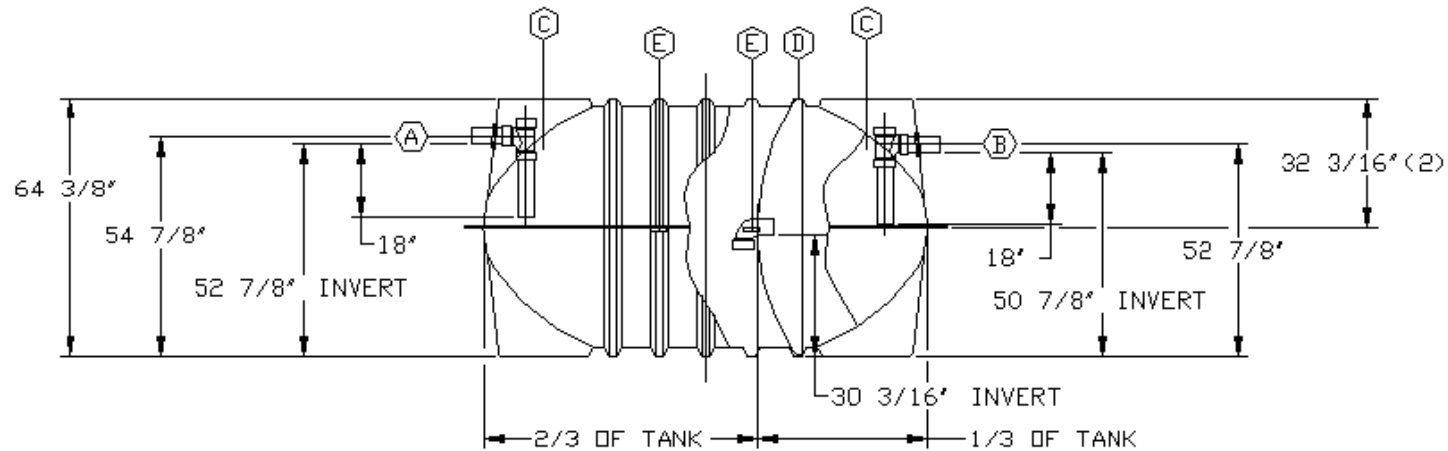
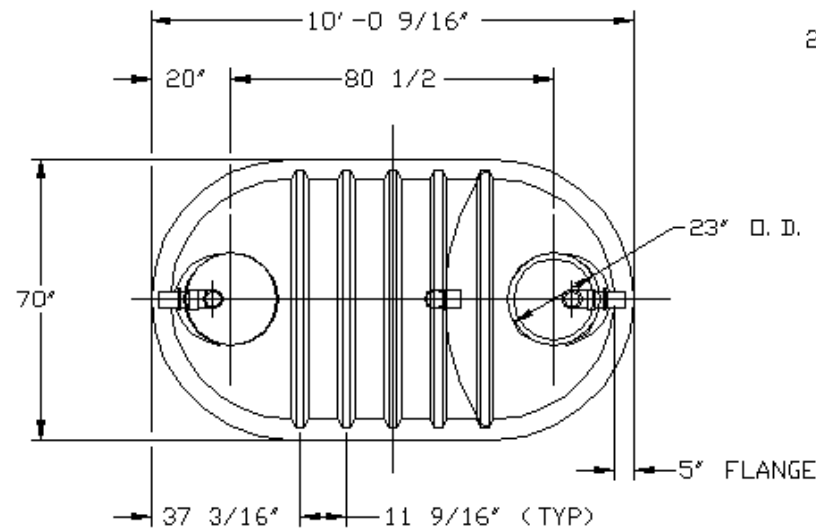


NOTE:

- 1 - 23" O. D. ADAPTER SURFACES ACCEPT STANDARD 24" I. D. FRP OR PVC RISERS.
- 2 - TANK WILL HAVE IAPMO LABEL.



(A)	4" DIA SCH 40 PVC INLET PIPE WITH INTERNAL SANITARY TEE & PIPES
(B)	4" DIA SCH 40 PVC OUTLET PIPE WITH INTERNAL SANITARY TEE & PIPES
(C)	23" O. D. x 2" HIGH RISER ADAPTER SURFACE
(D)	BAFFLE WALL WITH 4" DIA SCH 40 PVC STREET ELBOW SINGLE CROSS-OVER & 3" DIA VENT HOLE
(E)	LIFTING LUG (2 ON EACH SIDE OF TANK, 4 LUGS TOTAL)

XERXES[®]
CORPORATION

TITLE RST-11 1000
IAPMO

DATE 2-02 DR. NO. S10-956