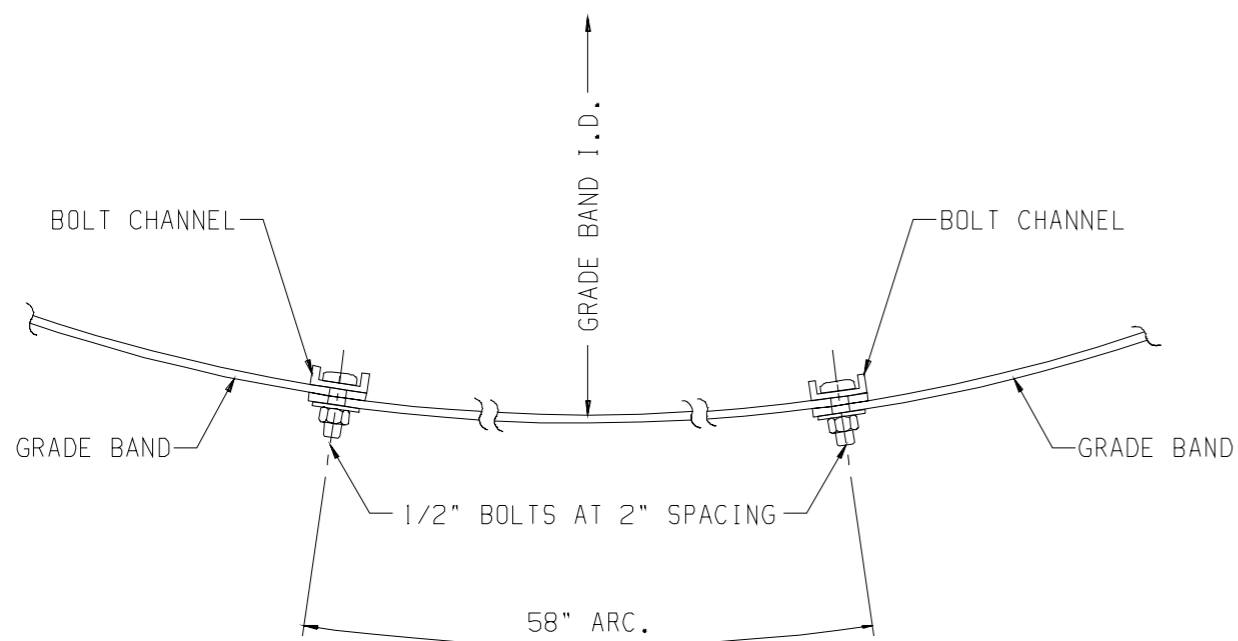


ELEVATION SECTION

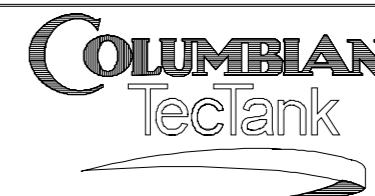


LAP DETAIL

NOMINAL TANK DIAMETER	BAND QTY.	BAND INSIDE DIAMETER	DISTANCE 'A'
9'-2 3/4''	8	12'-3 11/16''	18 7/16''
12'-3 11/16''	10	15'-4 5/8''	18 7/16''
15'-4 5/8''	12	18'-5 9/16''	18 7/16''
18'-5 9/16''	14	21'-6 7/16''	18 7/16''
21'-6 1/2''	16	24'-7 3/8''	18 7/16''
24'-7 3/8''	18	27'-8 5/16''	18 7/16''
26'-1 7/8''	19	29'-2 3/4''	18 7/16''
29'-8 1/2''	21	32'-3 11/16''	15 5/8''
32'-8 3/16''	23	35'-4 5/8''	16 1/4''
38'-7 7/16''	27	41'-6 1/2''	17 1/2''
41'-7 1/8''	29	44'-7 3/8''	18 1/8''
44'-6 3/4''	31	47'-8 5/16''	18 13/16''
47'-6 7/16''	33	50'-9 1/4''	19 7/16''
54'-11 9/16''	37	56'-11 1/16''	11 3/4''
59'-5''	40	61'-7 11/16''	12 3/4''
65'-4 5/16''	44	67'-8 5/16''	14''
69'-9 13/16''	47	72'-3 11/16''	14 15/16''
74'-3 1/4''	50	76'-11 1/16''	15 15/16''
80'-2 9/16''	54	83'-0 15/16''	17 3/16''
84'-8 1/16''	57	87'-8 5/16''	18 1/8''
89'-1 1/2''	60	92'-3 11/16''	19 1/8''
92'-1 3/16''	62	95'-4 5/8''	19 3/4''
95'-0 13/16''	64	98'-5 9/16''	20 3/8''
99'-6 5/16''	66	101'-6 1/2''	12 1/16''
109'-11 1/16''	73	112'-3 3/4''	14 5/16''
120'-3 7/8''	80	123'-0 15/16''	16 9/16''
124'-9 5/16''	83	127'-8 3/8''	17 1/2''

- 1) GRADE BAND TO CONFORM WITH AWWA D103-87 TYPE '5' FOUNDATION SPECIFICATION.
- 2) THE BERM SHALL BE WELL-GRADED STONE OR GRAVEL.
- 3) THE BERM UNDER THE TANK SHELL SHALL BE LEVEL $\pm 1/8''$ IN ANY 10' OF CIRCUMFERENCE AND WITHIN $\pm 1/2''$ IN THE TOTAL CIRCUMFERENCE.
- 4) CUSTOMER IS RESPONSIBLE FOR ASSURING ADEQUATE SOIL BEARING CAPACITY BENEATH BERM.
- 5) TANK TO BE INSTALLED CONCENTRIC WITH GRADE BAND.

CONFIDENTIAL						SCALE	NTS
J						DRN.	L. GOODNIGHT
H						CHK.	FLANAGAN
G						APP.	FARRIS
F	REV BORDER	HACK	NS	KM	4/4/02		
REV.		BY	CHK.	APP.	DATE		



DETAILS FOR FOUNDATION W/ GRADE BANDS	
REL. NO.	B 10-00-0000-04