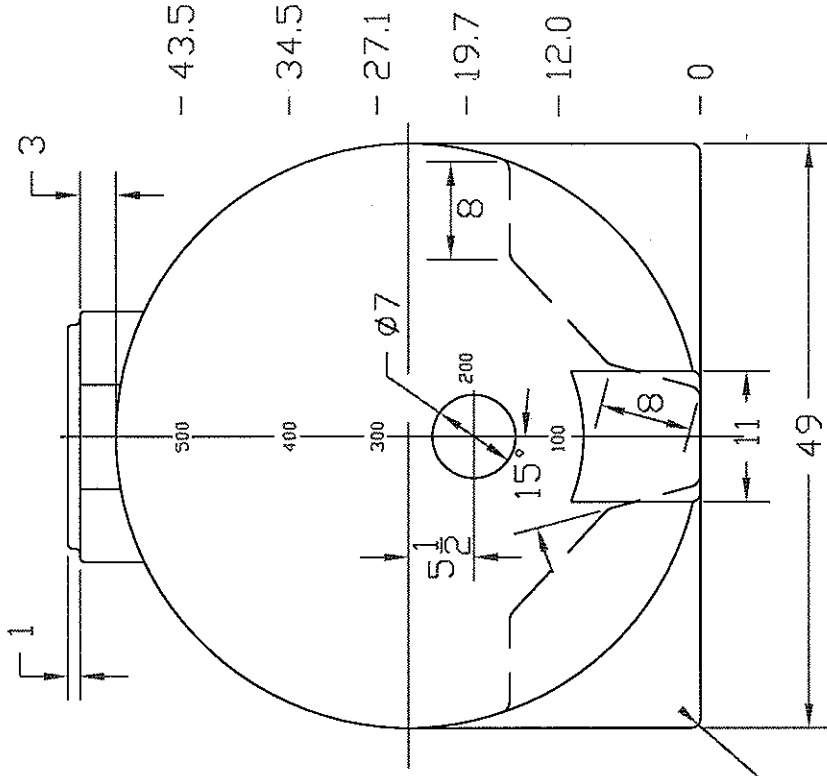
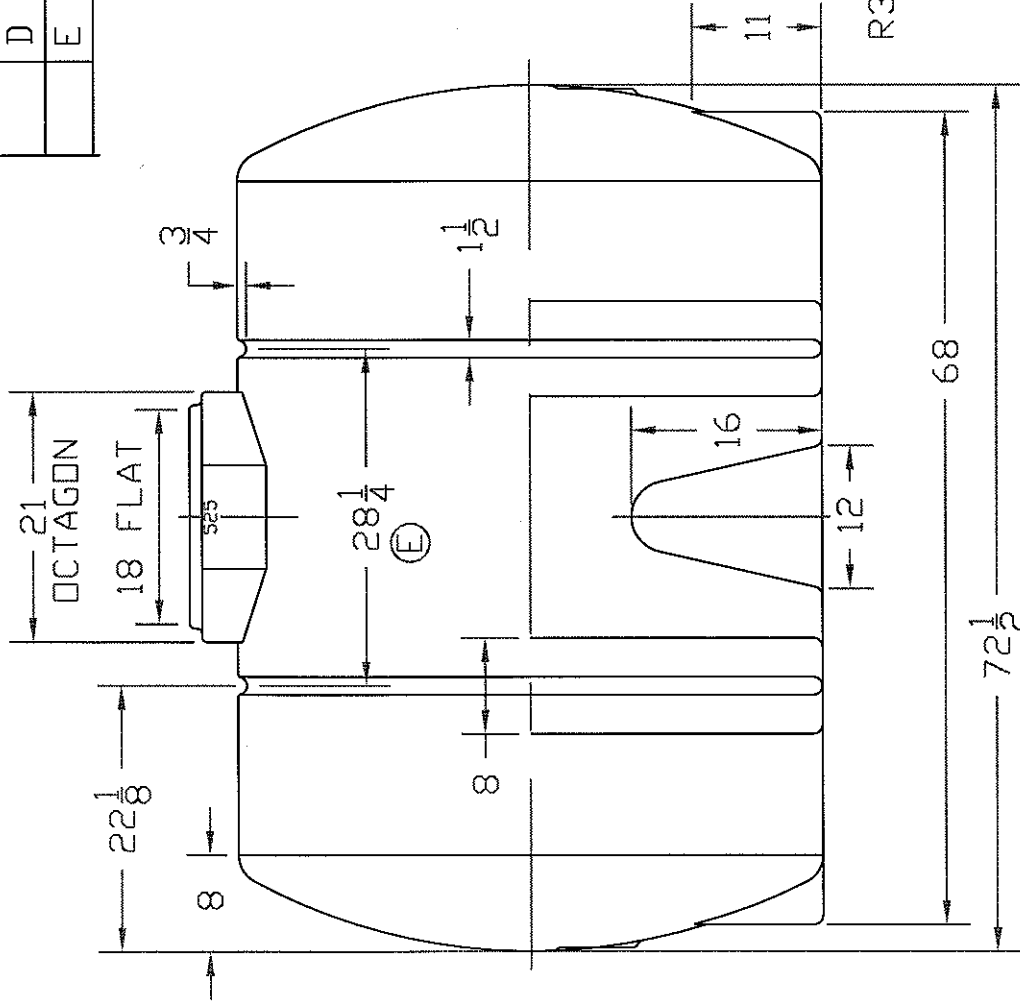


REVISIONS

ZONE	REV	DESCRIPTION	DATE	APPROVED
	D	REDRAWN, SPARGER REV'D	03MAY01	
	E	CORRECTED, WAS 27-1/2	23SEP02	



NORWESCO
ST. BONIFACIUS, MN

525 GAL HORIZONTAL TANK

NOTE: GALLONAGE MARKS ONE END

JTP 03MAY01

SIZE A

FSCM NO.

DWG NO.

REV E

SCALE 1/16

SHEET