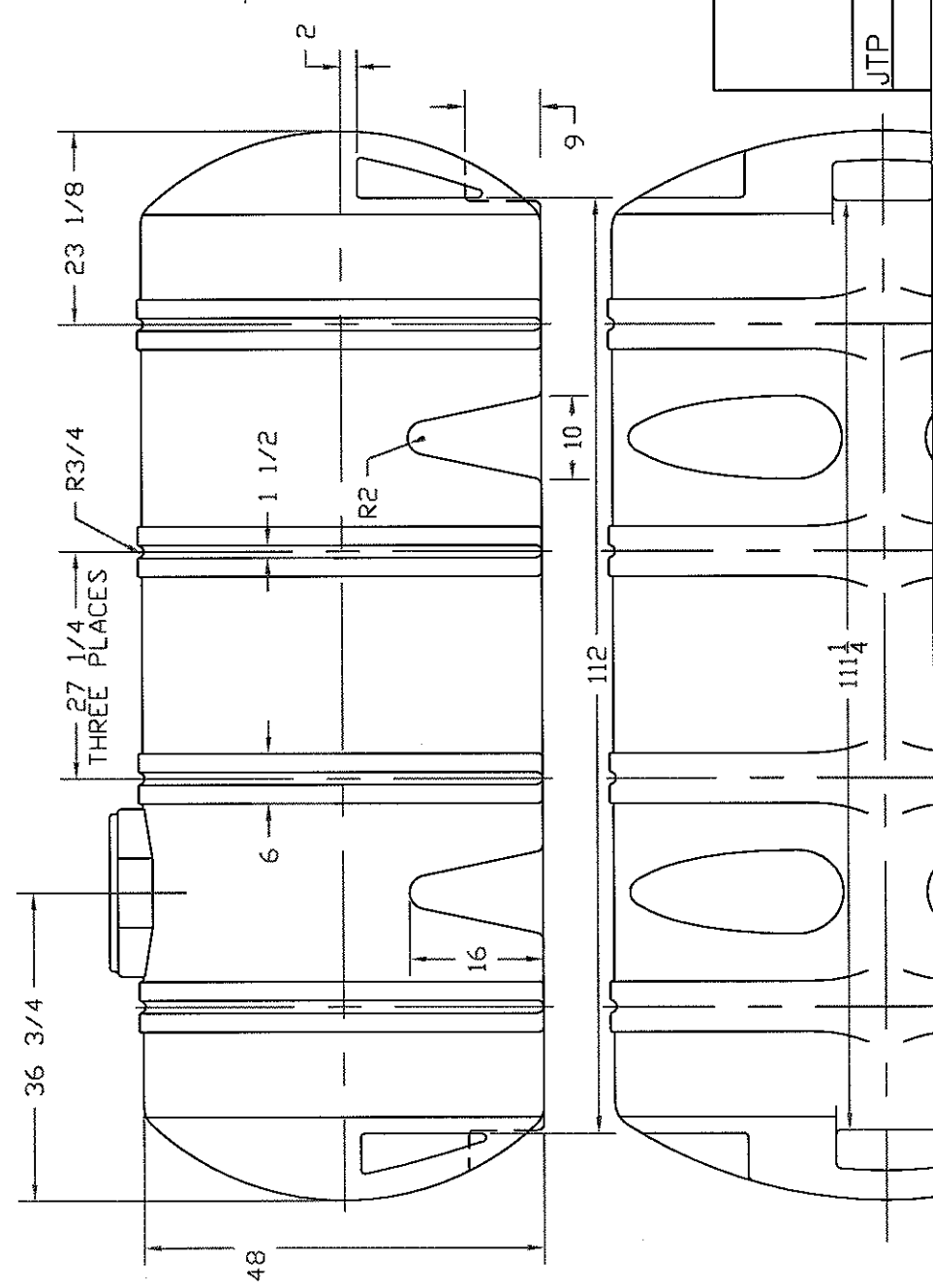
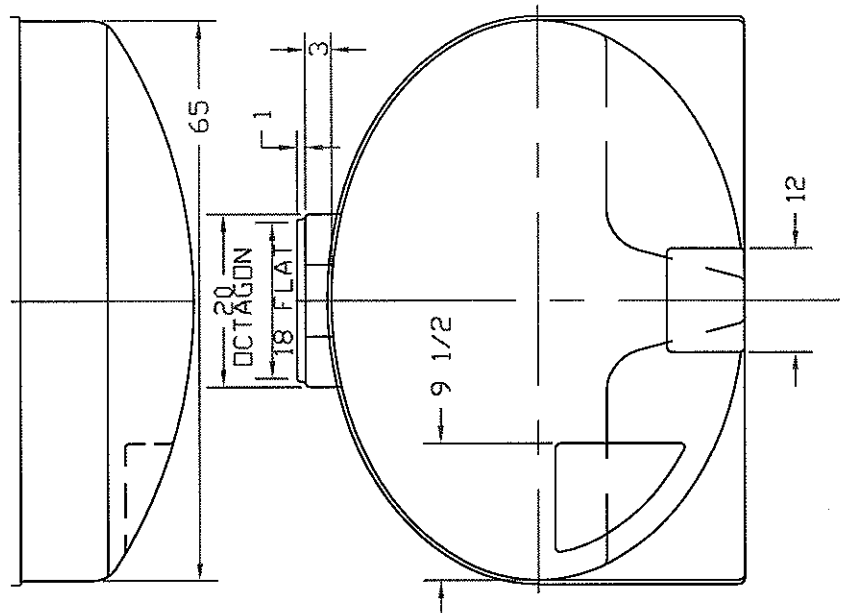


REVISIONS				
ZONE	REV	DESCRIPTION	DATE	APPROVED
	A	REDRAWN	27 JUN 97	
	B	SPARGER FLATS REVISED	23 OCT 98	



**NORWESCO**  
 ST. BONIFACIUS, MN  
 1235 GALLON ELLIPTICAL  
 LEG TANK

JTP	27 JUN 97	SIZE	FSCM NO.	DWG NO.	REV
		B			B

SCALE 1/16 SHEET