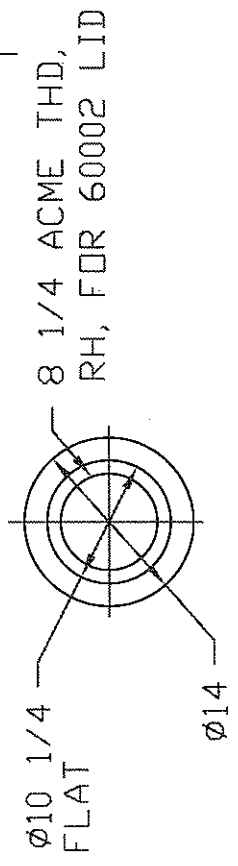
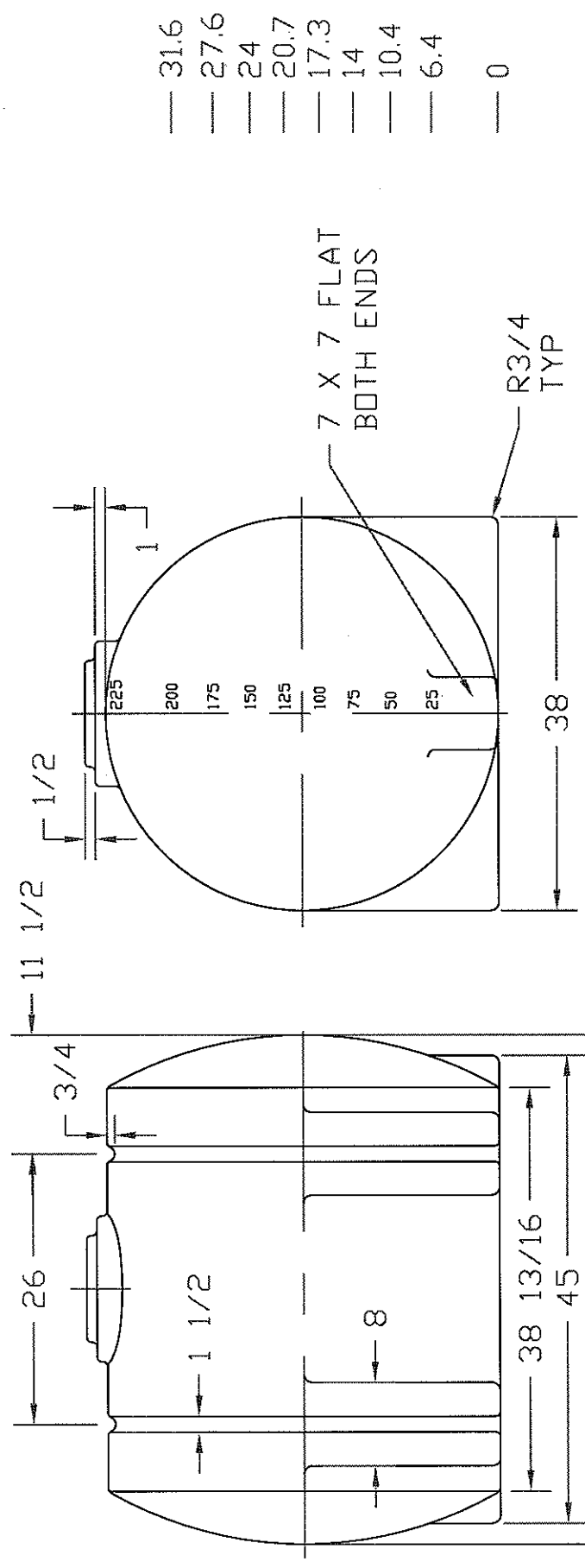


REVISIONS

ZONE	REV	DESCRIPTION	DATE	APPROVED



NOTE: GALLONAGE MARKS
ON BOTH ENDS



NORWESCO
ST. BONIFACIUS, MN

225 GALLON HORIZONTAL
LEG TANK MN,GA,UT,WA,CA MOLD

JTP	07MAR96	SIZE	FSCM NO.	DWG NO.	REV
		A			
SCALE 1/16				SHEET	