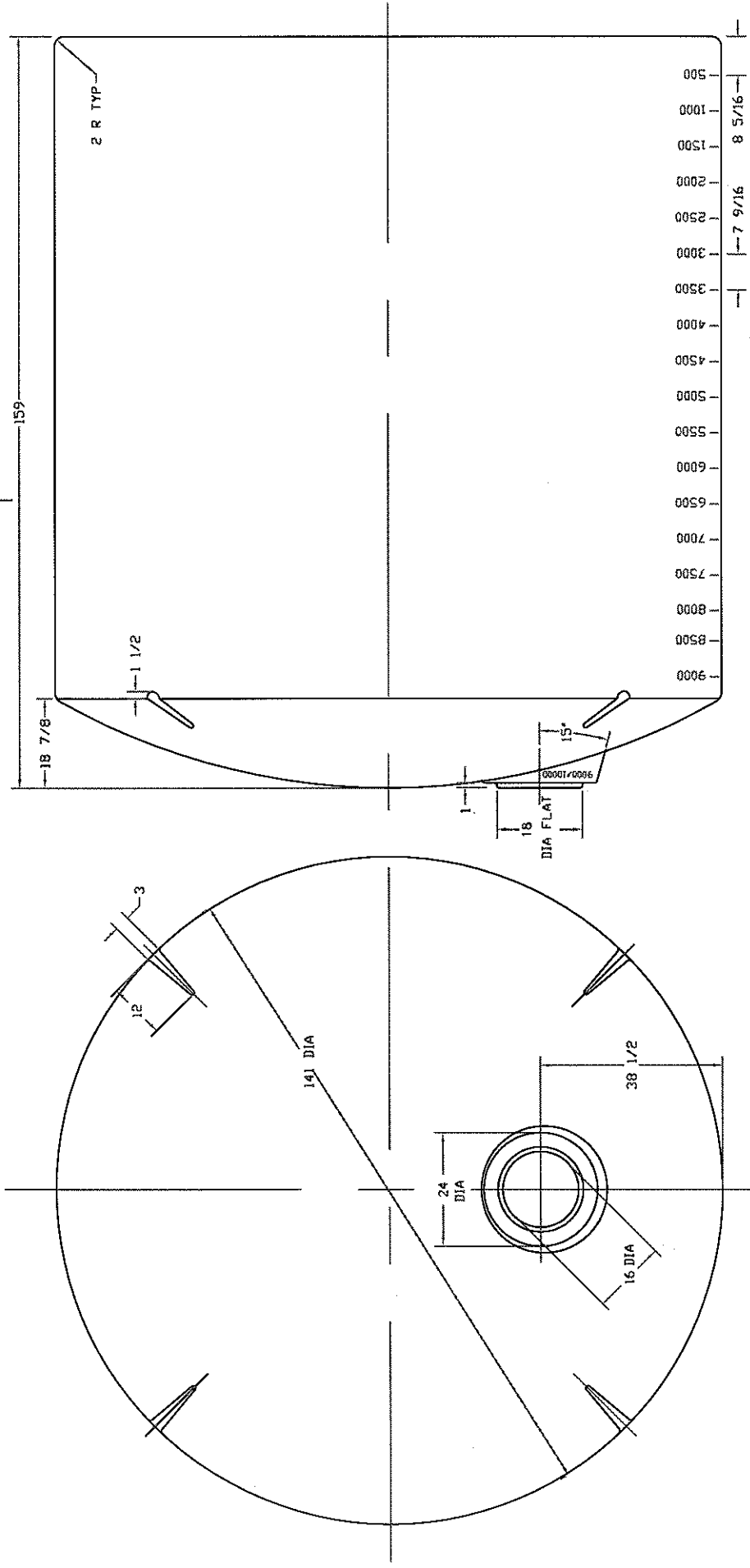


REVISIONS				
ZONE	REV	DESCRIPTION	DATE	APPROVED
	D	REVISED & REDRAWN	06DEC93	



<b>NORWESCO</b>		ST. BONIFACIUS, MN	
10000 GALLON VERTICAL			
TANK MN & AL MOLD			
JTP	06DEC93	SIZE B	FSCM NO. DWG NO.
SCALE 1/24		SHEET	