

REVISIONS

ZONE	REV	DESCRIPTION	DATE	APPROVED
	A	REDRAWN	10SEP97	

1" BLACK PIPE

R23 3/4

1 1/2

5/8 DIA
TWO PLACES

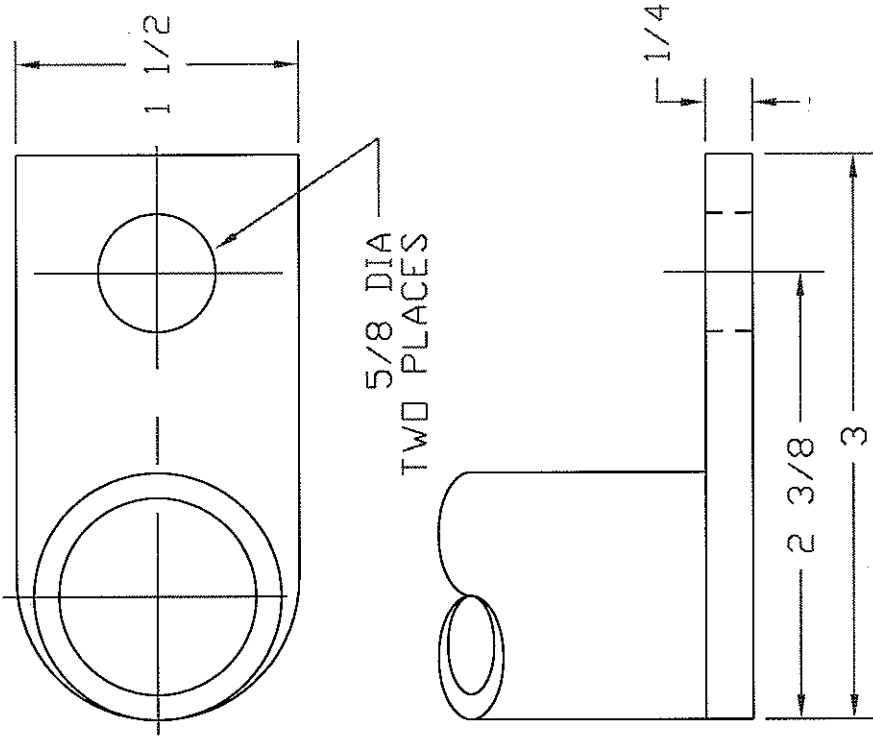
47 3/4

47 1/2

2 3/8

3

1/4



FULL SCALE DETAIL

NORWESCO
ST. BONIFACIUS, MN

BAND, 525, 725, & 1025
GALLON HORIZONTAL TANKS

NOTE: WELD WITH LOW HYDROGEN ROD

FINISH: HOT DIPPED GALVANIZED

JTP	10SEP97	SIZE	FSCM NO.	DWG NO.	REV
		A			
SCALE 1/12			SHEET		