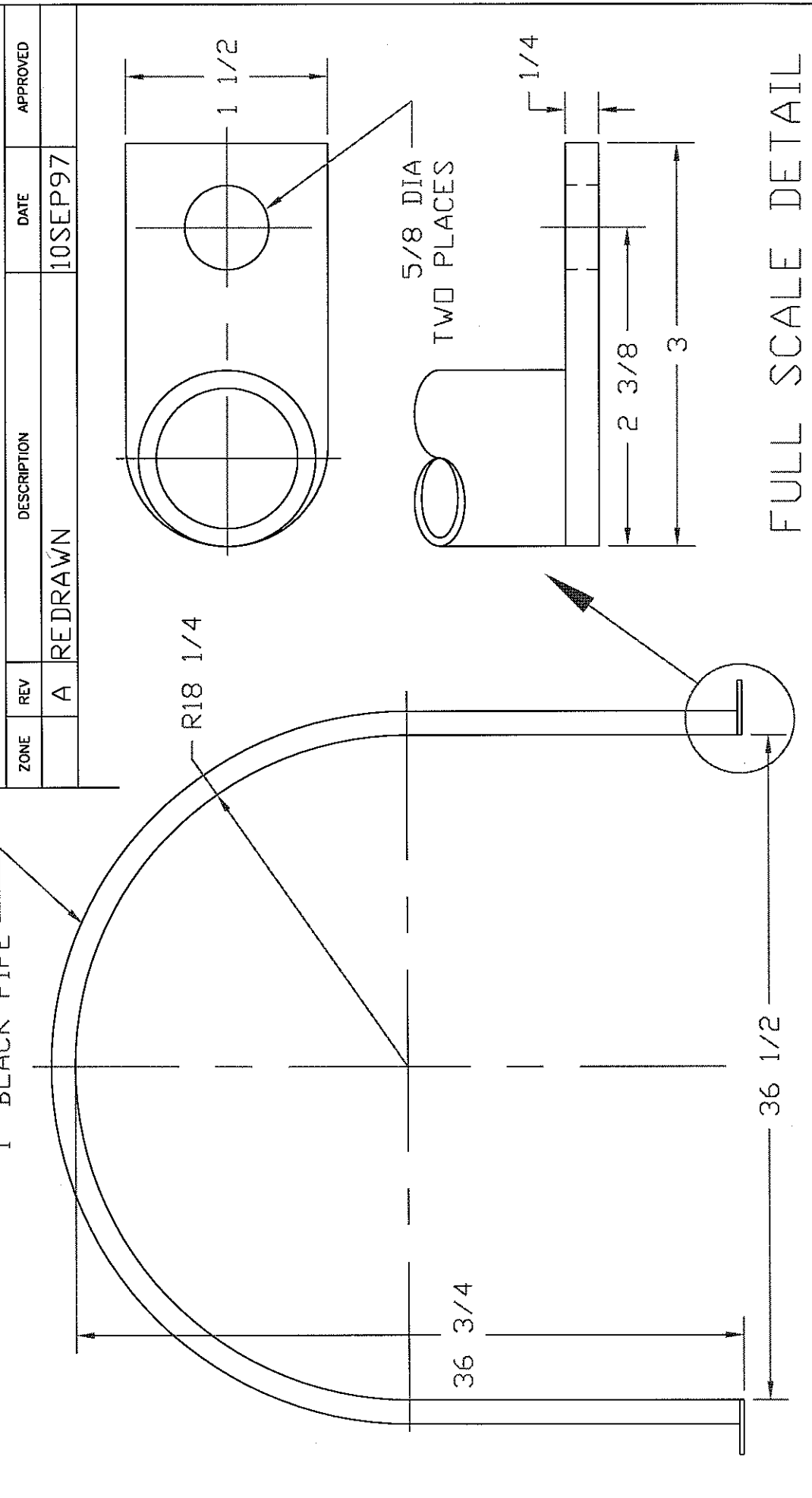


REVISIONS				
ZONE	REV	DESCRIPTION	DATE	APPROVED
	A	REDRAWN	10SEP97	



NORWESCO ST. BONIFACIUS, MN		BAND, 225 & 325 GALLON HORIZONTAL TANKS	
JTP	10SEP97	SIZE A	FSCM NO.
		SCALE 1/8	DWG NO.
			SHEET
			REV A

NOTE: WELD WITH LOW HYDROGEN ROD
 FINISH: HOT DIPPED GALVANIZED