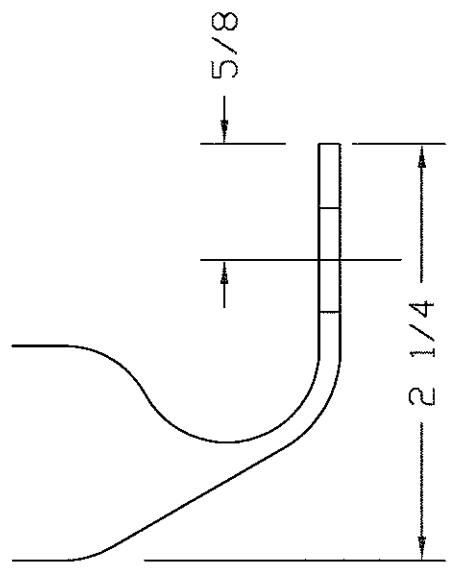
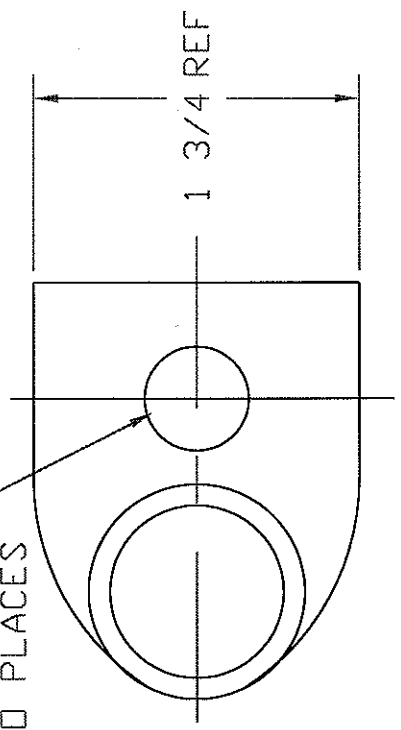
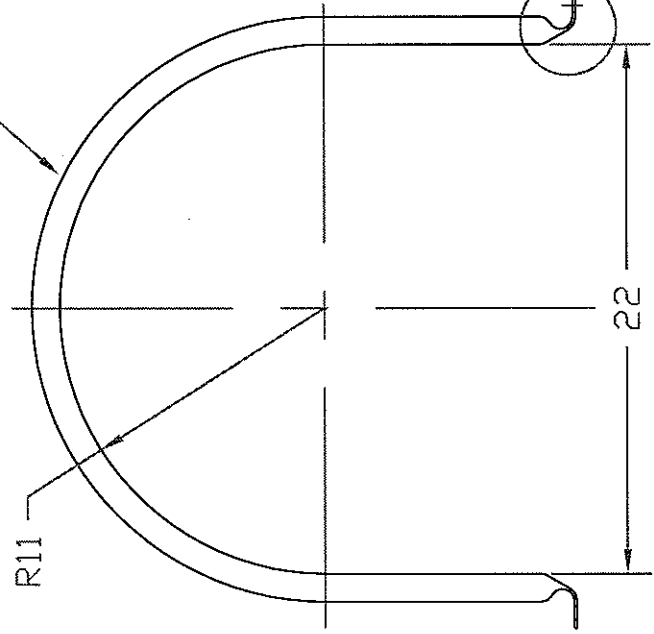


REVISIONS

ZONE	REV	DESCRIPTION	DATE	APPROVED
	B	REVISED & REDRAWN	15MAR99	

1" GALVANIZED EMT CONDUIT
(1.163 OD, 1.049 ID)

9/16 DIA
TWO PLACES



NORWESCO
ST. BONIFACIUS, MN

BAND, 65 GALLON
HORIZONTAL TANK

JTP	15MAR99	SIZE	FSCM NO.	DWG NO.	REV
		A			B
				SCALE 1/8	SHEET