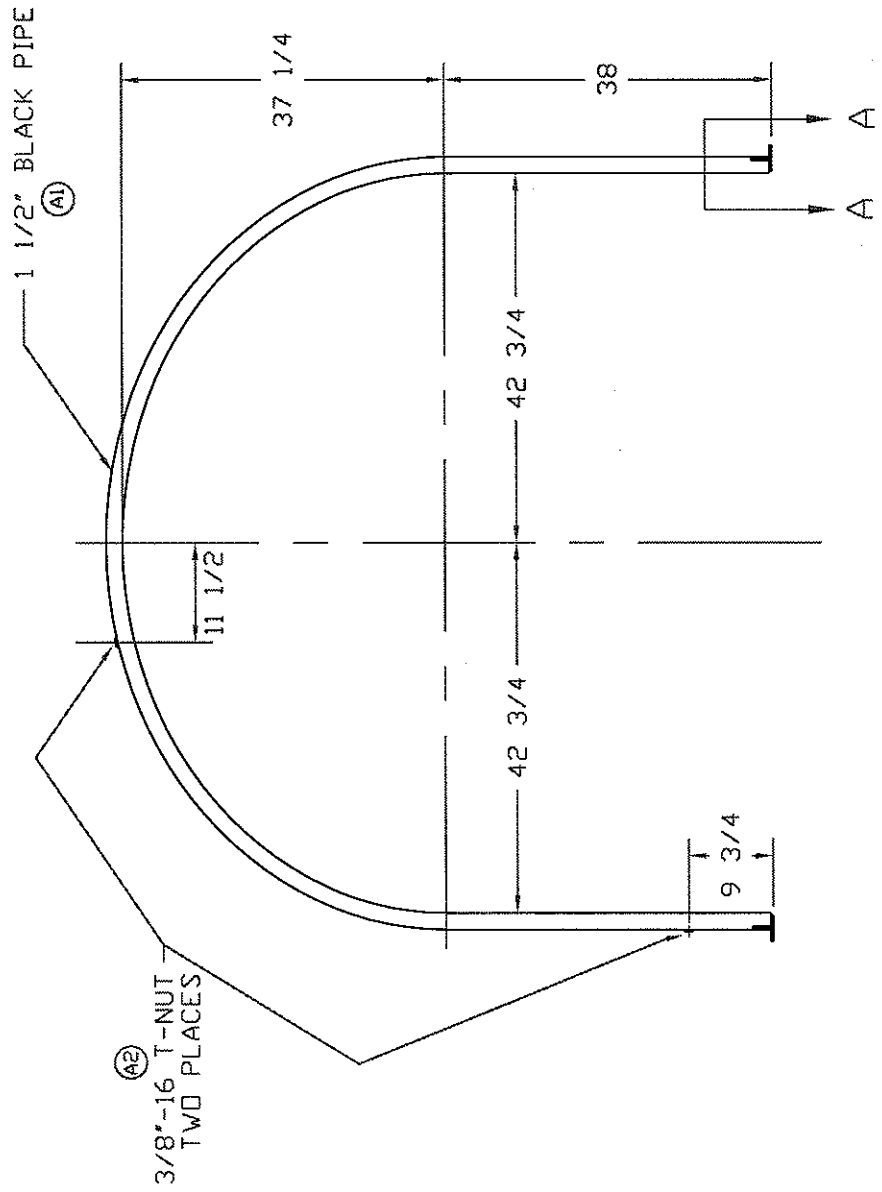
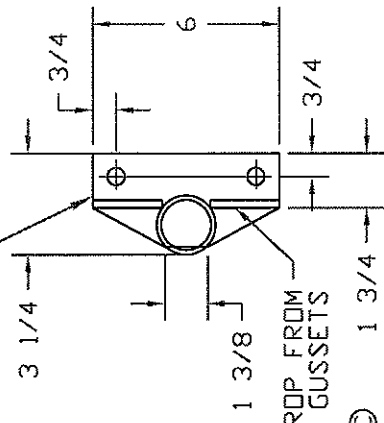
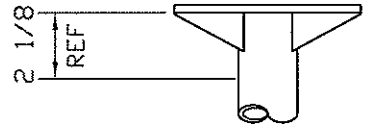


REVISIONS				
ZONE	REV	DESCRIPTION	DATE	APPROVED
	A	1-WAS 2", 2-ADDED	21JUL97	
	B	GUSSETS ADDED	29JAN98	
	C	GUSSETS REVISED	19OCT98	



1/4 X 3 X 6 FLAT



USE DROP FROM
BASE FOR GUSSETS

VIEW A-A
1/4 SCALE

JTP 13MAR96	SIZE B	FSCM NO.	DWG NO.	SCALE 1/16	SHEET	
		NORWESCO ST. BONIFACIUS, MN BAND, 3135 ELLIPTICAL TANK				
		REV C				